

Sept. 29, 1959

P. STEIN

2,906,045

ATTACHMENTS FOR BUTTONS

Filed Nov. 5, 1956

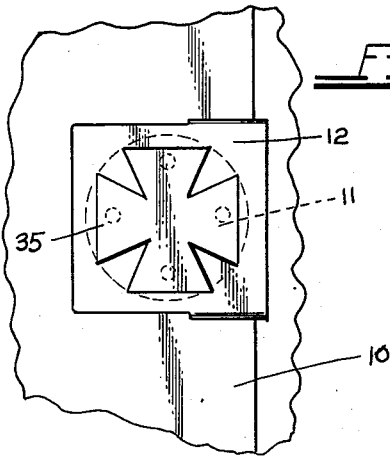


FIG. 1

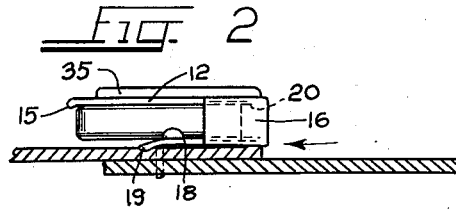


FIG. 2

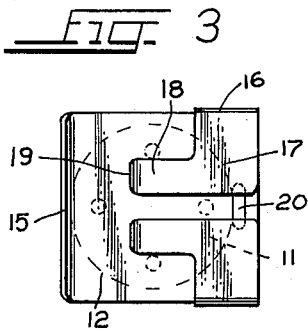


FIG. 3

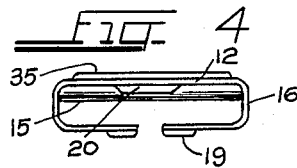


FIG. 4

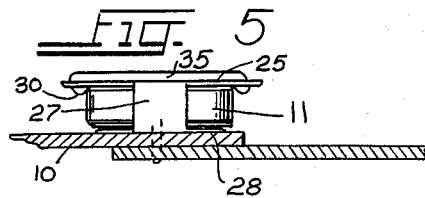


FIG. 5

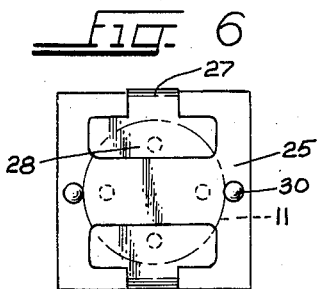


FIG. 6

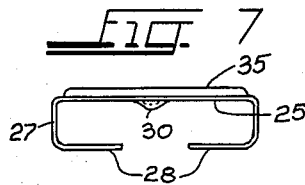


FIG. 7

INVENTOR:

PETER STEIN

BY

Milo B. Stearns & Co.  
ATTYS.

1

2,906,045

## ATTACHMENTS FOR BUTTONS

Peter Stein, Chicago, Ill.

Application November 5, 1956, Serial No. 620,471

6 Claims. (Cl. 40—10)

My invention relates to novelties for buttons, and more particularly to ornaments or facings mountable on the same. Ordinarily, a shirt or coat button serves as a utility, and only special buttons are ornate or of fancy design. However, at times it is desirable to wear a button which is typical or symbolical of some activity or event, or which is attractive or decorative. The present invention therefore has for its main object to provide an attachment or facing which may be mounted readily on any garment button to embellish the same in the manner stated, the attachment having its own ornate, symbolical or decorative effect.

A further object is to design the novel attachment in the form of a clip which may be mounted on the button with ease.

Another object is to construct the attachment with means for retaining the same on the button.

An additional object is to form the attachment in one piece for purposes of simplicity and economy in manufacture.

With the above objects in view, a better understanding of the invention may be had by reference to the accompanying drawing, in which:

Fig. 1 is an elevation of one form of the attachment as mounted on a fragment of a garment;

Fig. 2 is an edge view of the showing in Fig. 1, as seen from the bottom;

Fig. 3 is a back view of the attachment alone;

Fig. 4 is an end view of the showing in Fig. 2 from the right hand side thereof, of the attachment alone;

Fig. 5 is a view similar to Fig. 2, showing a second form of the attachment as applied;

Fig. 6 is a back view of the showing in Fig. 5, of the attachment alone; and

Fig. 7 is a view from the right-hand side of Fig. 5, of the attachment alone.

Referring specifically to the drawing, Fig. 1 shows a shirt or coat front at 10, and a button 11 for the same by means of dotted lines. The attachment is essentially a plate 12, and the same is shown mounted over the button 11.

In the form of the attachment shown in Figs. 1 to 4, the plate—which is substantially square in form—is made with a short rearward bend 15 at one end. The other end portion of the plate is extended laterally with rounded bends 16 in rearward direction, these having inward sections 17 which terminate in spaced relation to each other. These sections have tabs 18 extending part-way in the direction of the bend 15 and terminating with a slight rearward curl, as indicated at 19. The plate 12 is pressed with a horizontal rib 20 on the rear side in the region of the sections 17.

The attachment is mounted on the button 11 by sliding it endwise in the direction indicated by the arrow in Fig. 2. With the material of the attachment spring sheet metal, the sections 17 should yield and become tensioned as the attachment mounts the button; and the progress of the attachment ends when the bend 15 comes near to or

2

meets the edge of the button. When this occurs, the rib 20 has tripped off the opposite edge of the button, so that the same is confined between the rib and the bend 15, as shown in Fig. 2. While the attachment may have some sliding leeway on the button in one or the other direction, the rib 20 and the bend 15 prevent the attachment from sliding off the button.

If it is desired to remove the attachment from the button, it is simply backed off the same with some pressure; or, it may be advanced further until the button meets or bears on the bend 15. At such time, the rearwardly curved tabs 18 will yield to the pressure of the button in a direction to turn away from the bend 15 and out of the attachment.

The modification of Figs. 5 to 7 shows the attachment to be a plate 25 from which tongues 27 are extended from opposite sides and rounded in rearward direction to present wings 28 which are of greater width than the tongues 27. Such wings terminate in spaced relation to each other, as shown in Fig. 6. In the center of the plate and endwise of the wings 28, the plate is pressed with projections 30. Thus, the mounting of the attachment involves the eventual confinement of the button 11 between the projections 30, as shown in Fig. 6, the wings 28 serving as spring clips to retain the attachment on the button. It follows, of course, that the projections 30 keep the attachment from sliding off the button.

The plate 12—or 25—may be marked on its face with any suitable indicia, such as a monogram, picture, campaign slogan, etc.; or, it may be built up with a mounting 35 of a decorative or other character. Thus, to all intents and purposes the button will appear as a special or ornamental one. Yet, when the purpose of the attachment has been served, it may be removed easily and the button used in the ordinary manner. An attachment is thus had which quickly supplies a special purpose, yet is of a simple, one-piece construction which can be produced at low cost.

While I have described the invention and its modification along specific lines, various minor changes or refinements may be made therein without departing from its principle, and I reserve the right to employ all such changes and refinements as may come within the scope and spirit of the appended claims.

I claim:

1. An attachment for buttons comprising a plate adapted to be slid on the button from the side, and means depending from the sides of the plate for engaging the button from underneath, said means comprising a pair of downbends at one end of the plate and continued inwardly with opposed bottom sections, and tabs extended from the latter in the direction of the opposite end of the plate.

2. An attachment for buttons comprising a plate adapted to be slid on the button from the side, and means depending from the sides of the plate for engaging the button from underneath, said means comprising a pair of downbends at one end of the plate and continued inwardly with opposed bottom sections, and spring tabs extended from the latter in the direction of the opposite end of the plate.

3. An attachment for buttons comprising a plate adapted to be slid on the button from the side, and means depending from the sides of the plate for engaging the button from underneath, said means comprising a pair of downbends at one end of the plate and continued inwardly with opposed bottom sections, and spring tabs extended from the latter in the direction of the opposite end of the plate, such tabs having downward terminal curls.

4. An attachment for buttons comprising a plate adapted to be slid on the button from the side, means de-

3

pending from the sides of the plate for engaging the button from underneath, and stop means carried at one end by the plate to normally check it from sliding off the button, such stop means being a downward terminal bend.

5. An attachment for buttons comprising a plate adapted to be slid on the button from the side, means depending from the sides of the plate for engaging the button from underneath, and stop means carried at one end by the plate to normally check it from sliding off the button, such stop means being a downward surface projection.

6. An attachment for buttons comprising a plate adapted to be slid on the button from the side, means depending from the sides of the plate for engaging the button from underneath, and stop means carried by the

4

plate at each end to normally check the plate from sliding off the button, one of said stop means being a downward bend, and the other stop means being a downward surface projection.

## References Cited in the file of this patent

## UNITED STATES PATENTS

502,201	Pilbeam	July 25, 1893
1,053,663	Snell	Feb. 18, 1913
1,747,892	Fisher	Feb. 18, 1930
2,080,270	Henry	May 11, 1937
2,232,756	Marcus	Feb. 25, 1941
2,292,484	Schwartz	Aug. 11, 1942
2,460,654	Reinstein	Feb. 1, 1949
2,595,672	Greenwood	May 6, 1952