

(No Model.)

J. F. PLATT.
BACHELOR BUTTON.

No. 488,219.

Patented Dec. 20, 1892.

Fig. 1.

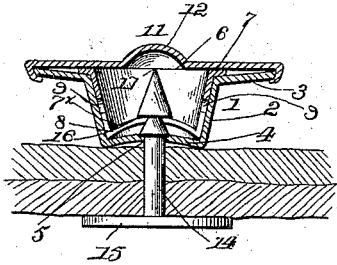


Fig. 2.

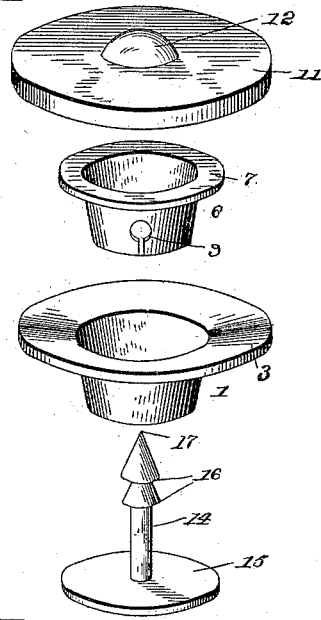


Fig. 3.

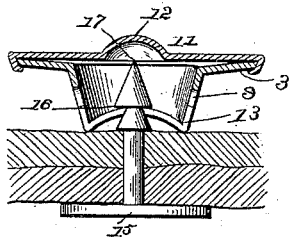


Fig. 4.

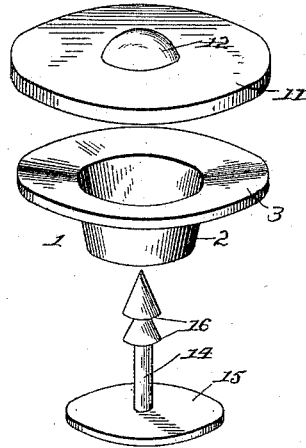


Fig. 5.

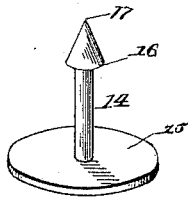
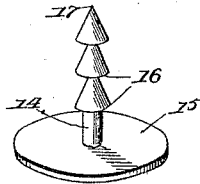


Fig. 6.



Witnesses

F. Johnson
Chas. S. New

Inventor

J. F. Platt

By *h z s* Attorneys,

C. Snow & Co.

UNITED STATES PATENT OFFICE.

JOSEPH F. PLATT, OF WATERBURY, CONNECTICUT.

BACHELOR BUTTON.

SPECIFICATION forming part of Letters Patent No. 488,219, dated December 20, 1892.

Application filed July 7, 1892. Serial No. 439,276. (No model.)

To all whom it may concern:

Be it known that I, JOSEPH F. PLATT, a citizen of the United States, residing at Waterbury, in the county of New Haven and State of Connecticut, have invented a new and useful Bachelor Button, of which the following is a specification.

This invention relates to buttons and especially to that class in which the head is automatically locked to the shank and commonly known as "bachelor buttons" and the object thereof is to provide a button of the character set forth of simplified construction and wherein the shank is adjustable to different thicknesses of cloth, and with this object in view the invention consists of the construction and arrangement of the parts as will be hereinafter more fully described and claimed.

In the drawings:—Figure 1 is a transverse sectional view of one form of the button shown applied. Fig. 2 is a perspective view of the parts of the button shown in Fig. 1 disconnected. Fig. 3 is a view similar to Fig. 1 of a slightly different form of the button. Fig. 4 is a view similar to Fig. 2 of the button shown in Fig. 3. Figs. 5 and 6 show detail perspective views of slightly different forms of the shank.

Similar numerals of reference are employed to indicate corresponding parts in the several figures.

Referring to Figs. 1 and 2 of the drawings, the numeral 1, designates a back disk having a depending socket 2, and an upper flange 3. The depending socket is of conical shape and has a cavities or struck up bottom 4, with a central opening 5. A cup 6, is placed in the socket 2, and is formed with an upper flange 7 which rests on the flange 3, of the said back disk 1. The said cup is, also of conical form and is formed with a struck up or indented bottom 7*, having a slit 8 extending transversely across the same and upward into the sides and terminating in apertures 9, which permit the parts of the cup on each side of the slit to yield or spread apart. In the center of the bottom of the cup is also formed an opening 10, which aligns with the opening 5, in the bottom of the socket 2. On the back disk is placed a cap plate or disk 11, having an extended flange which is swaged down over and against the lower side of the

flange 3 of the back disk and is also provided with a central struck up portion 12 to give extended entrance to the shank as will be hereinafter more fully referred to. The head of the button is thus completed, and it will be observed consists of three parts only.

In Figs. 3 and 4 the socket 2, of the back disk 1, as shown in Figs. 1 and 2 is drawn up or indented at its lower end and slotted transversely as at 13, and in this instance the cup 6, is dispensed with. In other respects the construction of the head is the same, and by means of the latter construction a great saving of metal and labor results.

In Figs. 2 and 4 a shank 14, is shown having a shoe 15, and formed with circumferential square shouldered recesses 16, two of the latter being shown in connection with each shank in said figures. In Fig. 5 the shank is formed with one recess 16, and in Fig. 6 with three of said recesses. In all the forms of the shank the upper end is pointed as at 17, to facilitate passing the same through the fabric and dispensing with the additional use of a needle or analogous device for such purpose. The different numbers of recesses in the several shanks provide for attaching the device to different thicknesses of fabric to which the button is to be applied, and it will be understood that the shank will be correspondingly elongated as the number of recesses therein is increased.

The opening in the parts heretofore set forth with which the shank locks, will be normally slightly less in diameter than the said shank, but owing to the slitted construction the same yields and the metal walls thereof snap under the square shouldered recess of the shank with which they are to engage. The square shouldered recess formation prevents slipping of the shank after it is once seated. After the shank is snapped in place, and the strain on the head tends to draw the engaging part with the shank in a firm and tighter manner as will be readily seen.

In the form of devices shown by Figs. 1 and 2, the hole in the bottom of the socket 2, and the hole in the cup 6, form two bearing surfaces to engage the double recesses of the shank and tends to keep the button head from shifting on the fabric and shank. The bottom concavity of the socket and cup pro-

vides means for guiding and causing an easy entrance of the shank thereinto.

It will be understood that the button entire will be made of any suitable metal and of different sizes to suit various uses.

Having thus described the invention what is claimed as new is:—

In a button of the character set forth, the combination of a head having a back-securing plate consisting of a cylindrical depending cup, whose entire bottom is concaved or struck-up and transversely slotted, said slot extending up the sides of the cup, the said struck up bottom portion having a central

opening in its slot, and the said slot in the cup terminating in openings at the upper ends thereof on opposite sides, said plate further consisting of a flange secured to the head, and a shank having one or more recesses therein, substantially as described.

In testimony that I claim the foregoing as my own I have hereto affixed my signature in the presence of two witnesses.

JOSEPH F. PLATT.

Witnesses:

JAMES J. EGAN,

CHAS. WILLETTE.